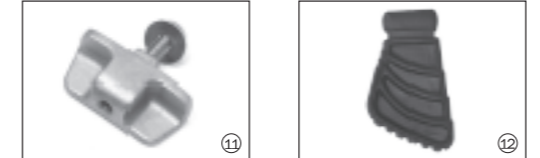
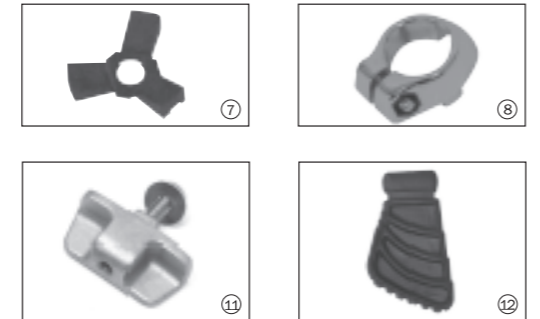


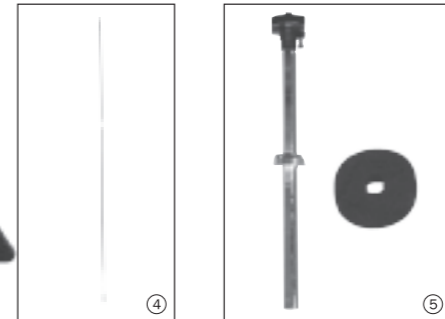
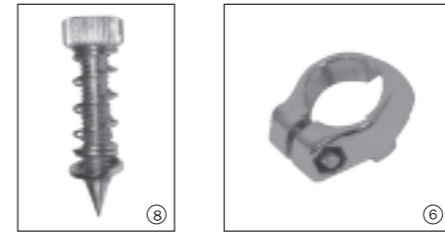
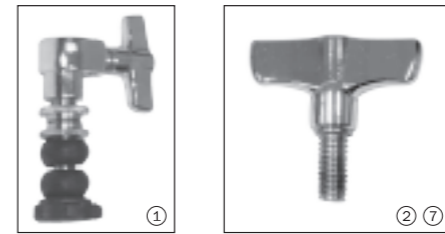
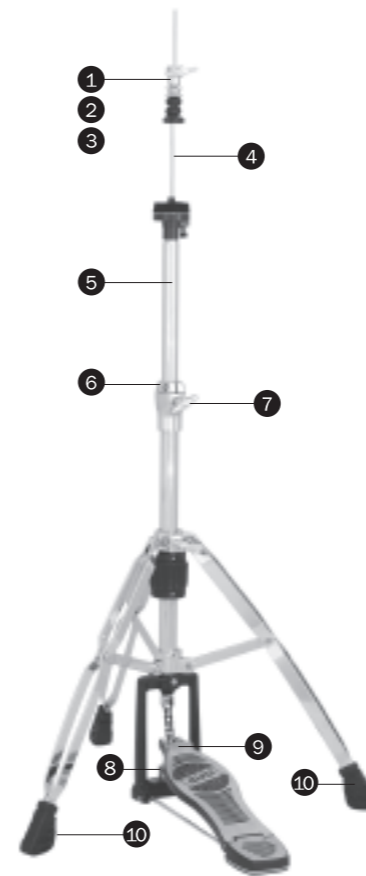
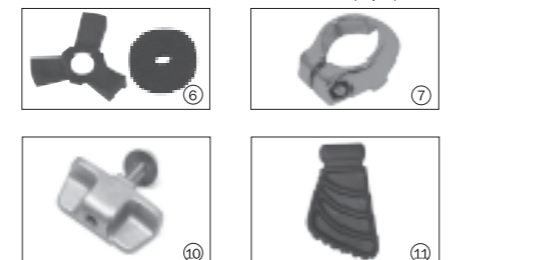
◀ H950A / H950 ▶

Item number	Description
① 2680-346A	Clutch Assy.
② AZ0600200A	Wing Screw
③ 2680-327A	O/S Cymbal Accentuator (2pcs/pack)
2680-327	O/S Cymbal Accentuator (1pc)
2671-360	Plastic Knob
④ 2114-380	Pull Rod of Upper Tube
⑤ 2680-075X	Upper Tube
⑥ 2680-320A	Cymbal Seat
⑦ 2680-326	Rubber Cymbal Base
⑧ 6600-095A	Memory Lock for Tube dia. 25.4mm(1")
⑨ AZ0800170A	Wing Screw
⑩ 2402-205A	Anchor Screw Assy.
⑪ 2412-230A	Toe Stopper Assy.
⑫ 1680-045	Rubber Foot (1pc) for H950A
2680-045	Rubber Foot for H950



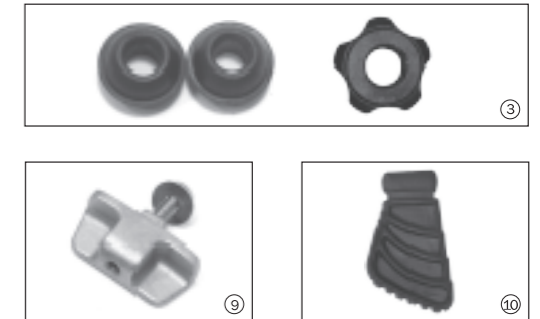
◀ H750A / H750 ▶

Item number	Description
① 2680-346A	Clutch
② AZ0600200A	Wing Screw
③ 2680-327A	O/S Cymbal Accentuator (2pcs/pack)
2680-327	O/S Cymbal Accentuator (1pc)
2671-360	Plastic Knob
④ 2114-380	Pull Rod of Upper Tube
⑤ 2565-075X	Upper Tube for H750A
2680-075X	Upper Tube for H750
2114-320A	Cymbal Seat for H750A
2680-320A	Cymbal Seat for H750
⑥ 2680-326	Rubber Cymbal Base for H750
2121-330	Felt Cymbal Base for H750A
⑦ 6700-095A	Memory Lock for Tube dia. 22.2mm(0.9")
⑧ AZ0800170A	Wing Screw
⑨ 2402-205A	Anchor Screw Assy.
⑩ 2412-230A	Toe Stopper Assy.
⑪ 1224-045	Rubber Foot (1pc) for H750A
2680-045	Rubber Foot(1pc) for H750



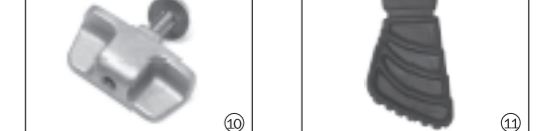
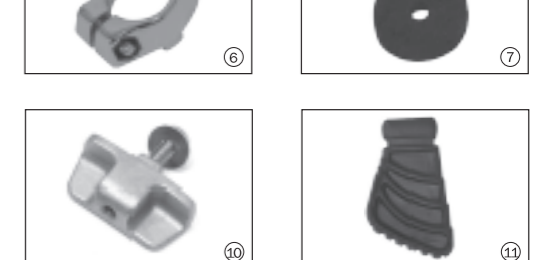
◀ H550A / H550 ▶

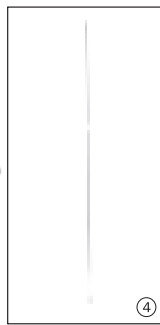
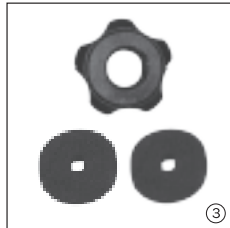
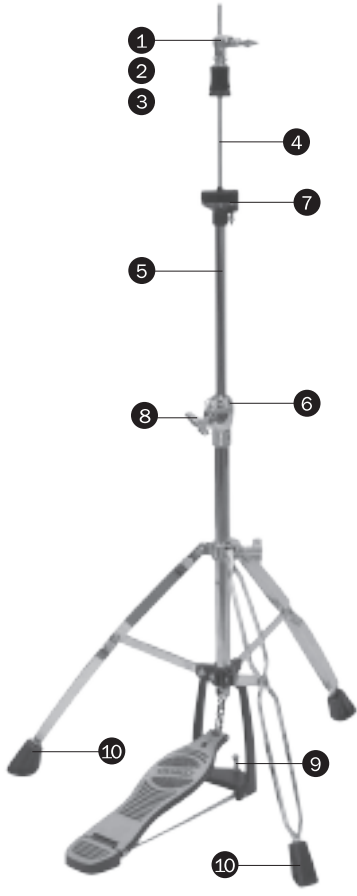
Item number	Description
① 2680-346A	Clutch
② AZ0600200A	Wing Screw
③ 2680-327A	O/S Cymbal Accentuator (2pcs / pack)
2680-327	O/S Cymbal Accentuator (1pc)
2671-360	Plastic Knob
④ 2114-380	Pull Rod of Upper Tube
⑤ 2565-075X	Upper Tube
2114-320A	Cymbal Seat
2121-330	Felt Cymbal Base
⑥ 6700-095A	Memory Lock for Tube dia. 22.2mm(0.9")
⑦ AZ0800170A	Wing Screw
⑧ 2402-205A	Anchor Screw Assy.
⑨ 2412-230A	Toe Stopper Assy.
⑩ 1224-045	Rubber Foot (1pc)



◀ H350A / H350 ▶

Item number	Description
① 2680-346A	Clutch
② AZ0600200A	Wing Screw
③ 2680-327A	O/S Cymbal Accentuator (2pcs / pack)
2680-327	O/S Cymbal Accentuator (1pc)
2671-360	Plastic Knob
④ 2114-380	Pull Rod of Upper Tube
⑤ 2335-075X	Upper Tube
2114-320A	Cymbal Seat
⑥ 3480-095A	Memory Lock for Tube dia. 19.1mm(0.8")
⑦ 2121-330	Felt Cymbal Base
⑧ AZ0800170A	Wing Screw
⑨ 2402-205A	Anchor Screw Assy.
⑩ 2412-230A	Toe Stopper Assy.
⑪ 1123-045	Rubber Foot (1pc)





◀ H320A / H320 ▶

Item number	Description
-------------	-------------

- ① 2670-346A Clutch
- ② AZ0600200A Wing Screw
- ③ 2004-355A Felts (2pcs/pack)
- 2004-355 Felt (1pc)
- 2671-360 Plastic Knob
- ④ 2114-380 Pull Rod of Upper Tube
- ⑤ 2230-075X Upper Tube
- 2114-320A Cymbal Seat
- ⑥ 3480-095A Memory Lock for Tube dia. 19.1mm(0.8")
- ⑦ 2121-330 Felt Cymbal Base
- ⑧ AZ0800170A Wing Screw
- ⑨ 2402-205A Anchor Screw Assy.
- ⑩ 3122-045 Rubber Foot (1pc)



◀ H300A / H300 ▶

Item number	Description
-------------	-------------

- ① 2670-346A Clutch for H300A
- 2008-346A Clutch for H300
- ② AZ0600150A Wing Screw for H300A
- ST060012035 Wing Screw for H300
- ③ 2004-355A Felts (2pcs/pack)
- 2004-355 Felt (1pc)
- 2671-360 Plastic Knob for H300A
- 2018-360 Knob for H300
- ④ 2008-380 Pull Rod of Upper Tube
- ⑤ 2245-075X Upper Tube
- 2121-320A Cymbal Seat
- ⑥ 2121-330 Felt Cymbal Base
- ⑦ AZ0800170A Wing Screw for H300A
- ST080020040 Wing Screw for H300
- ⑧ 2402-205A Anchor Screw Assy.
- ⑨ 3122-045 Rubber Foot (1pc)
- ⑩ 3730-095A Memory Lock 15.9mm(0.6") for H300A

