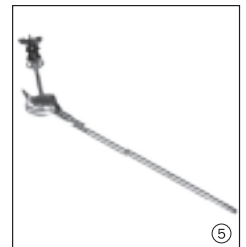
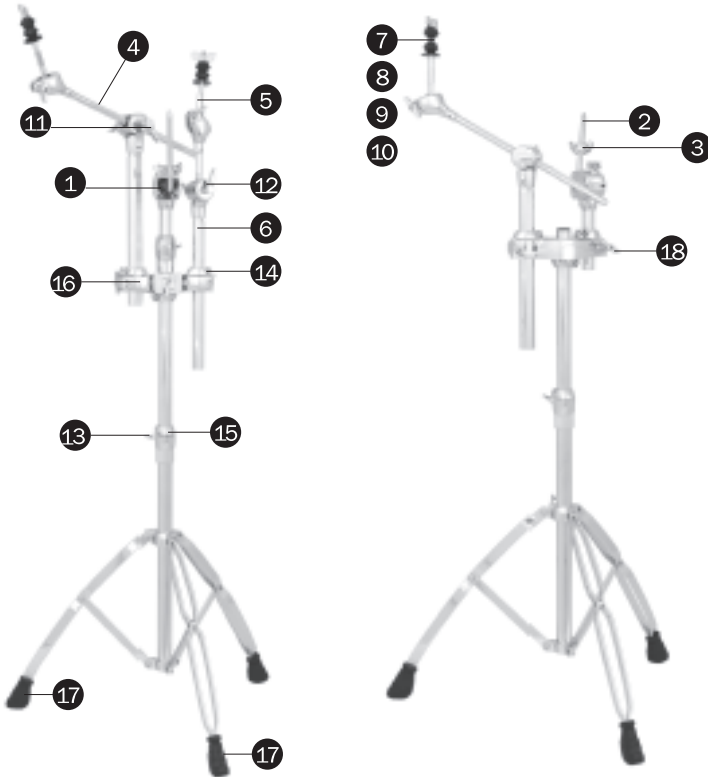


◀ TS965A / TS965 ▶

◀ TS960A / TS960 ▶

Item number | Description

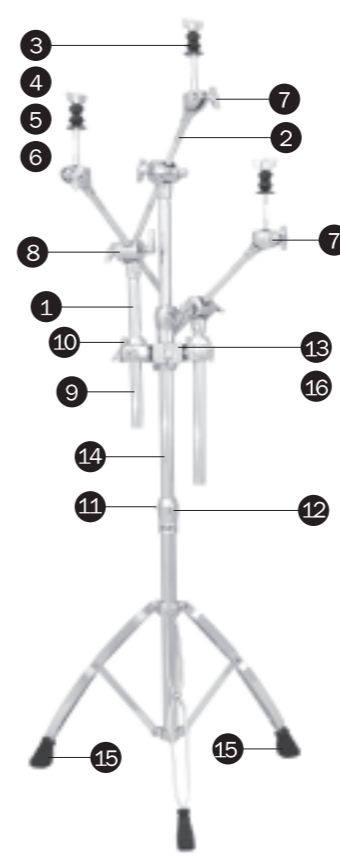
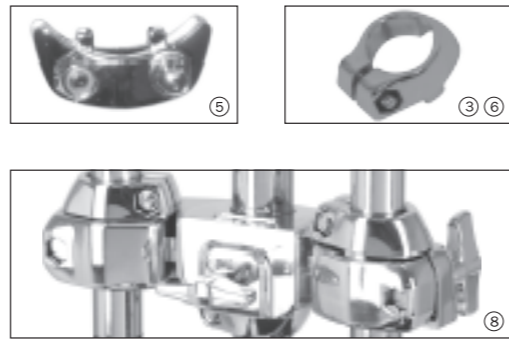
- |   |             |  |
|---|-------------|--|
| ① | TH684       | Tom Arm                                    |
| ② | 6801-024A   | Ball Rod                                   |
| ③ | 6750-645A   | Stop Lock                                  |
| ④ | B75         | Boom Cymbal Arm                            |
| ⑤ | 3680-484A   | Boom Arm                                   |
| ⑥ | 3680-425A   | Upper Tube                                 |
| ⑦ | 3680-440A   | Tilter Assy.                               |
| ⑧ | NZ080020038 | Wing Nut                                   |
| ⑨ | 3480-355A   | O/S Cymbal Accentuator<br>(2pcs/pack)      |
|   | 3480-355    | O/S Cymbal Accentuator (1pc)               |
| ⑩ | 3621-325    | Cymbal Washer                              |
| ⑪ | 1224-938A   | Pro-Lok Lever                              |
| ⑫ | 3480-3010A  | Wing Nut / Bolt Assy.                      |
| ⑬ | AZ0800170A  | Wing Screw                                 |
| ⑭ | 6700-095A   | Memory Lock for Tube dia.<br>22.2mm (0.9") |
| ⑮ | 6600-095A   | Memory Lock for Tube dia.<br>25.4mm (1")   |
| ⑯ | AC908       | Multi-Use Mount Assy.                      |
| ⑰ | 1680-045    | Rubber Foot (1pc)                          |
| ⑱ | 0908-6010A  | Wing Screw                                 |





◀ TS950A / TS950 ▶

Item number	Description
① 6700-625A	Tom Holder
② 6801-024A	Ball Rod
③ 6700-095A	Stop Lock for Tube dia. 22.2mm (0.9")
④ 9700-9010A	Wing Nut / Bolt Assy.
⑤ 6750-645A	Memory Lock for Tube dia. 22.2mm (0.9")
⑥ 6600-095A	Memory Lock for Tube dia. 25.4mm (1")
⑦ AZ0800170A	Wing Screw
⑧ AC908	Multi-Use Mount Assy.
⑨ 1680-045	Rubber Foot (1pc)
⑩ 0908-6010A	Wing Screw



◀ B995A / B995 ▶  
◀ B990A / B990 ▶

Item number	Description
① B75	Boom Cymbal Arm
② 3680-484A	Boom Arm
③ 3680-440A	Tilter Assy.
④ NZ080020038	Wing Nut
⑤ 3480-355A	O/S Cymbal Accentuator (2pcs/pack)
3480-355	O/S Cymbal Accentuator (1pc)
⑥ 3621-325	Cymbal Washer
⑦ 3480-3010A	Wing Nut / Bolt Assembly
⑧ 1224-938A	Pro-Lok Lever
⑨ 3680-425A	Upper Tube
⑩ 6700-095A	Memory Lock for Tube dia. 22.2mm (0.9")
⑪ AZ0800170A	Wing Screw
⑫ 6600-095A	Memory Lock for Tube dia. 25.4mm (1")
⑬ AC908	Multi-Use Mount Assy.
⑭ 2215-075	Center Tube
⑮ 1680-045	Rubber Foot (1pc)
⑯ 0908-6010A	Wing Screw

◀ TS550A / TS550 ▶

Item number	Description
① 6801-024	Ball Rod
② 6200-645A	Stop Lock Assy. for VX, V, QR and Q
6750-645A	Stop Lock Assy. for Orion, Saturn and Pro M
③ 9550-9010A	Wing Nut / Bolt Assembly
④ 6600-095A	Memory Lock for Tube dia. 25.4mm(1")
⑤ AZ0800170A	Wing Screw
⑥ 1224-045	Rubber Foot (1pc)

