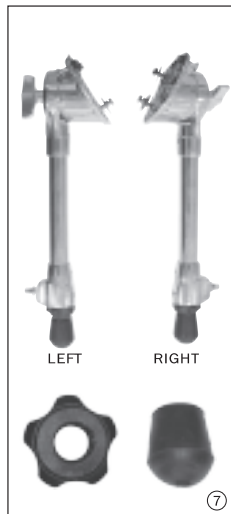
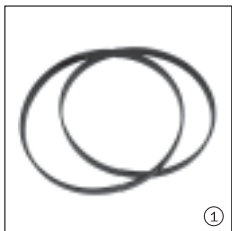


Item number | Description

- ① 0125-1800A-XX 18"BD Hoop, for M Series  
0125-2000A-XX 20"BD Hoop, for M Series  
0125-2200A-XX 22"BD Hoop, for M Series  
Replace xx with color code
- ② 0334-418BB 18"BD Head, Batter Side  
0334-420BB 20"BD Head, Batter Side  
0334-422BB 22"BD Head, Batter Side  
0334-618CB 18"BD Black Head, Logo Side  
0334-620CB 20"BD Black Head, Logo Side  
0334-622CB 22"BD Black Head, Logo Side
- ③ LUG-0713P Lug Assy. Chrome Plated
- ④ 0704-891 BD Hook, Chrome Plated
- ⑤ SFM0551000H Tension Rod, Chrome Plated (1pc)
- ⑥ 1900M12366A Badge (w/Gasket and screws)
- ⑦ 7550J0040A Left BD Spur  
7550J0041A Right BD Spur  
7201-675 Adjustment Knob  
7201-685A Rubber Foot for BD Spur (1pc)
- ⑧ 6350B BD Mount Complete  
AZ0800170A Wing Screw (1pc)





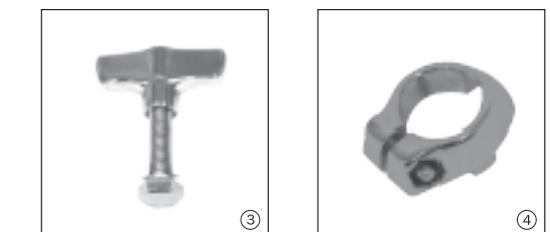
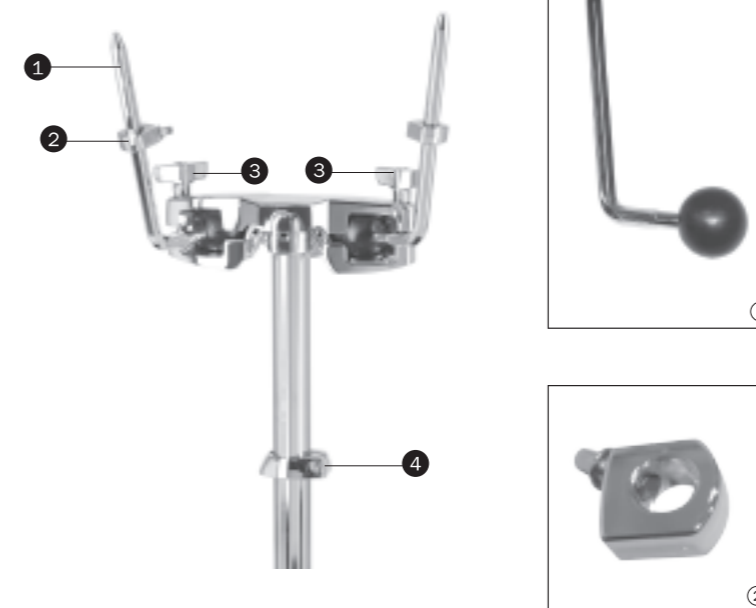
Item number	Description
① 0101-0804	8" TT Hoop, Chrome Plated, 4 Holes
0101-1006	10" TT Hoop, Chrome Plated, 6 Holes
0101-1206	12" TT Hoop, Chrome Plated, 6 Holes
0101-1306	13" TT Hoop, Chrome Plated, 6 Holes
0101-1406	14" TT / FT Hoop, Chrome Plated, 6 Holes
0101-1606	16" TT / FT Hoop, Chrome Plated, 6 Holes
0101-1806	18" TT / FT Hoop, Chrome Plated, 6 Holes
② 0334-308BT	8" TT Head, Batter Side
0334-310BT	10" TT Head, Batter Side
0334-312BT	12" TT Head, Batter Side
0334-313BT	13" TT Head, Batter Side
0334-314BT	14" TT / FT Head, Batter Side
0334-316BT	16" TT / FT Head, Batter Side
0334-318BT	18" TT / FT Head, Batter Side
0334-308CT	8" TT Head, Bottom Side
0334-310CT	10" TT Head, Bottom Side
0334-312CT	12" TT Head, Bottom Side
0334-313CT	13" TT Head, Bottom Side
0334-314CT	14" TT / FT Head, Bottom Side
0334-316CT	16" TT / FT Head, Bottom Side
0334-318CT	18" TT / FT Head, Bottom Side
③ LUG-0711P	Lug Assy.
LUG-0714P	Lug Assy. (for ITS plate)
④ SFM0550450H	Tension Rod, Chrome Plated (1pc)
⑤ 1900M12366A	Badge (w/Gasket and screws)
⑥ 34601880A	FT Leg (1pc)
34602685	Rubber Foot for FT Leg (1pc)
⑦ 6460M2083A	8" TT Mount (w/ITS)
6460M2103A	10" TT Mount (w/ITS)
6460M2123A	12" TT Mount (w/ITS)
6460M2133A	13" TT Mount (w/ITS)
6460M2143A	14" TT Mount (w/ITS)
6460M2163A	16" TT Mount (w/ITS)
6250M	FT Mount
NZ080024044	Wing Nut (1pc)



Item number	Description
① 0101-1408	14" SN Hoop, Batter Side, Chrome Plated, 8 Holes
0101-14081	14" SN Hoop, Snare Side, Chrome Plated, 8 Holes
② 0334-114BT	14" SN Head, Batter Side
0334-314SS	14" SN Head, Snare Side
③ LUG-0722P	Lug Assy. (Type P)
④ SFM0550450H	Tension Rod, Chrome Plated (1pc)
⑤ 1900M12366A	Badge (w/Gasket and Screw)
⑥ 0622-1720A	SN Throw-off, Release Side Assy., Chrome Plated
0622-1820A	SN Throw-off, Butt Side Assy., Chrome Plated
⑦ 18323850A	14" Snare Wire, Chrome Plated

◀ TH650 ▶

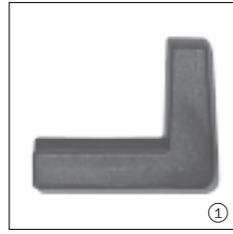
Item number	Description
① 6801-024	Ball Rod
② 6200-645A	Stop Lock for Tom Holder
③ 9550-9010A	Wing Nut / Bolt Assembly
④ 6600-095A	Memory Lock for Tube dia. 25.4mm (1")



◀ S550A ▶

Item number	Description
-------------	-------------

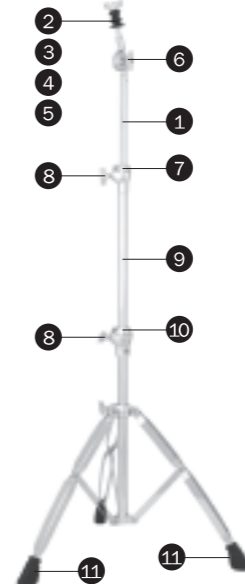
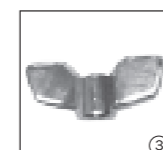
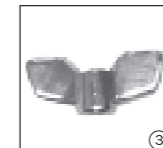
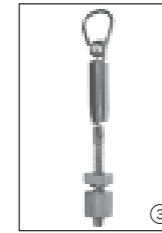
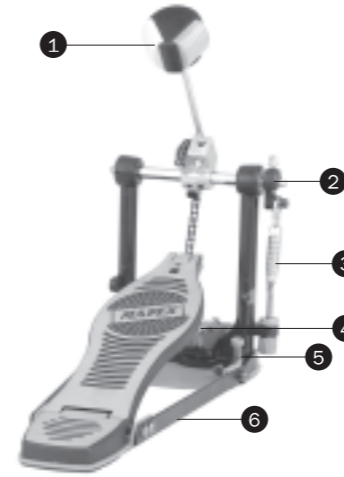
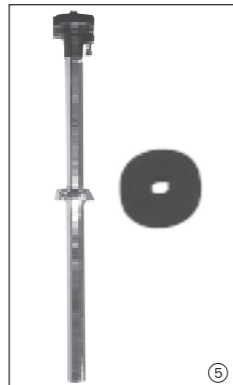
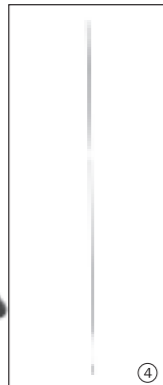
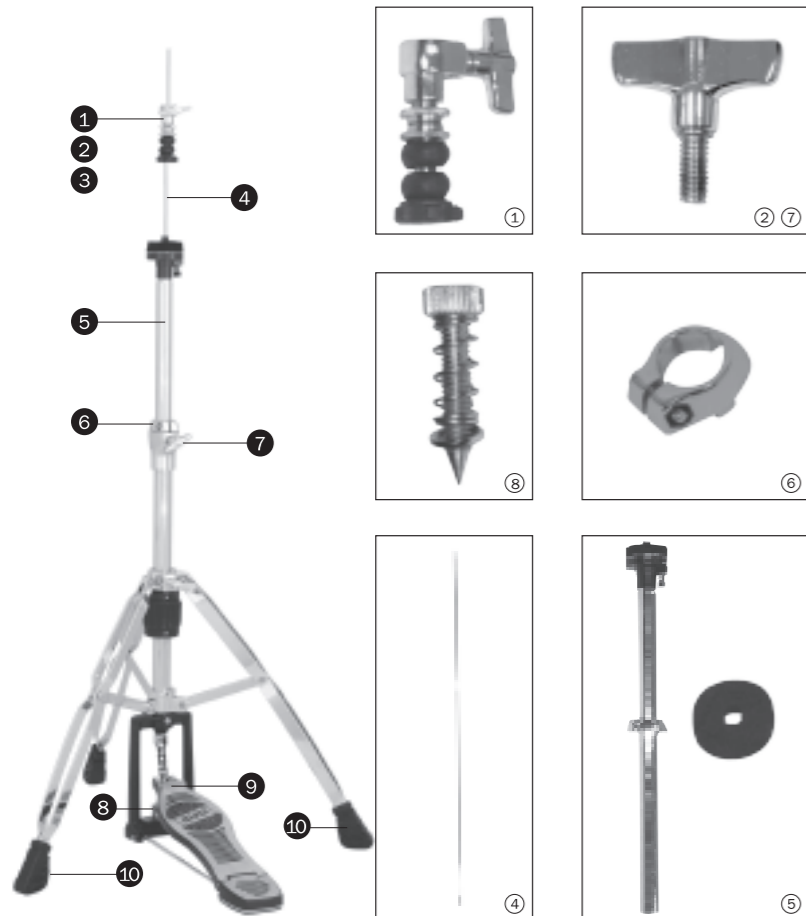
- ① 1114-105 Rubber Sleeve (1pc)
- ② AZ0800170A Wing Screw
- ③ 3480-095A Memory Lock for Tube dia. 19.1mm (0.8")
- ④ 1224-045 Rubber Foot (1pc)



◀ H550A ▶

Item number	Description
-------------	-------------

- ① 2680-346A Clutch
- ② AZ0600200A Wing Screw
- ③ 2680-327A O/S Cymbal Accentuator (2pcs / pack)
- 2680-327 O/S Cymbal Accentuator (1pc)
- 2671-360 Plastic Knob
- ④ 2114-380 Pull Rod of Upper Tube
- ⑤ 2565-075X Upper Tube
- 2114-320A Cymbal Seat
- 2121-330 Felt Cymbal Base
- ⑥ 6700-095A Memory Lock for Tube dia. 22.2mm(0.9")
- ⑦ AZ0800170A Wing Screw
- ⑧ 2402-205A Anchor Screw Assy.
- ⑨ 2412-230A Toe Stopper Assy.
- ⑩ 1224-045 Rubber Foot (1pc)



◀ C550A ▶

Item number	Description
-------------	-------------

- ① 3365-484A Upper Tube
- ② 3402-430A Tilter
- ③ NZ080020038 Wing nut
- ④ 3480-355A O/S Cymbal Accentuator (2pcs/pack)
- 3480-355 O/S Cymbal Accentuator(1pc)
- ⑤ 3621-325 Cymbal Washer
- ⑥ 3224-3010A Wing Nut / Balt Assembly
- ⑦ 3730-095A Memory Lock for Tube dia. 15.9mm (0.6")
- ⑧ AZ0800170A Wing Screw
- ⑨ 3650-075 Center Tube
- ⑩ 6700-095A Memory Lock for Tube dia. 22.2mm (0.9")
- ⑪ 1224-045 Rubber Foot (1pc)



◀ B550A ▶

Item number	Description
-------------	-------------

- ① 3665-484A Boom Arm
- ② 3402-430A Tilter
- ③ NZ080020038 Wing Nut
- ④ 3480-355A O/S Cymbal Accentuator (2pcs/pack)
- 3480-355 O/S Cymbal Accentuator(1pc)
- ⑤ 3621-325 Cymbal Washer
- ⑥ 3224-3010A Wing Nut / Balt Assembly
- ⑦ 3665-425A Upper Tube
- ⑧ 6700-095A Memory Lock for Tube dia. 22.2mm(0.9")
- ⑨ AZ0800170A Wing Screw
- ⑩ 3730-095A Memory Lock for Tube dia. 25.4mm (1")
- ⑪ 3650-075 Center Tube
- ⑫ 1224-045 Rubber Foot (1pc)

