

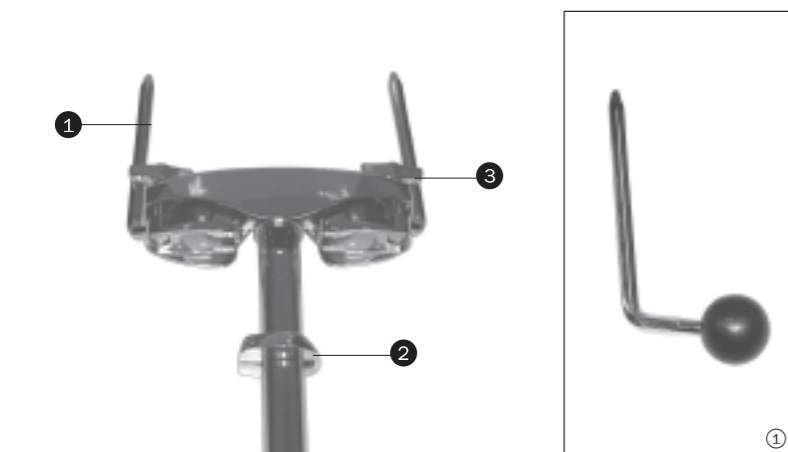
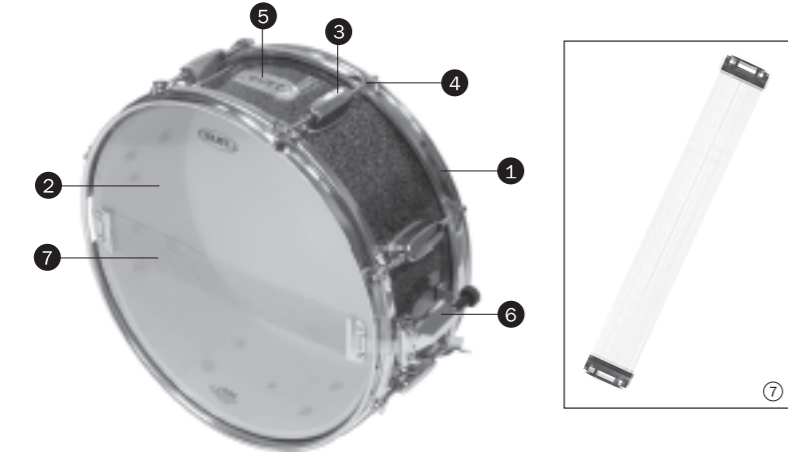


Item number	Description
①	0112-1800A-XX 18"BD Hoop, for QR Series 0112-2000A-XX 20"BD Hoop, for QR Series 0112-2200A-XX 22"BD Hoop, for QR Series Replace xx with color code
②	0246-418BB-MP 18"BD Head, Batter Side 0246-420BB-MP 20"BD Head, Batter Side 0246-422BB-MP 22"BD Head, Batter Side 0246-618CB-MP 18"BD Black Head, Logo Side 0246-620CB-MP 20"BD Black Head, Logo Side 0246-622CB-MP 22"BD Black Head, Logo Side
③	LUG-0743P Lug Assy. Chrome Plated
④	0704-891 BD Hook, Chrome Plated
⑤	SFM0551000H Tension Rod, Chrome Plated (1pc)
⑥	1900M12362A Badge (w/Gasket and screws)
⑦	7230J0001A BD Spur 7201-675 Adjustment Knob 7201-685A Rubber Foot for BD Spur (1pc)
⑧	6300B BD Mount Complete AZ0800170A Wing Screw(1pc)



Item number	Description
①	0104-0804 8"TT Hoop, Chrome Plated, 4 Holes 0104-1006 10"TT Hoop, Chrome Plated, 6 Holes 0104-1206 12"TT Hoop, Chrome Plated, 6 Holes 0104-1306 13"TT Hoop, Chrome Plated, 6 Holes 0104-1406 14"TT / FT Hoop, Chrome Plated, 6 Holes 0104-1606 16"TT / FT Hoop, Chrome Plated, 6 Holes 0104-1806 18"TT / FT Hoop, Chrome Plated, 6 Holes
②	0246-308CT-MP 8"TT Head 0246-310CT-MP 10"TT Head 0246-312CT-MP 12"TT Head 0246-313CT-MP 13"TT Head 0246-314CT-MP 14"TT / FT Head 0246-316CT-MP 16"TT / FT Head 0246-318CT-MP 18"TT / FT Head
③	LUG-0741P Lug Assy., Chrome Plated LUG-0744P Lug Assy., Chrome Plated (w/ITS)
④	SFM0550450H Tension Rod, Chrome Plated (1pc)
⑤	1900M12362A Badge (w/Gasket and screws)
⑥	34601880A FT Leg (1pc) 34602685 Rubber Foot for FT Leg (1pc)
⑦	6460M TT Mount (w/ITS) 6460M2083A 8"TT Mount (w/ITS) 6460M2103A 10" TT Mount (w/ITS) 6460M2123A 12" TT Mount (w/ITS) 6460M2133A 13" TT Mount (w/ITS) 6460M2143A 14" TT Mount (w/ITS) 6460M2163A 16" TT Mount (w/ITS) 6200M TT / FT Mount (w/o ITS) NZ080024044 Wing Nut (1pc)

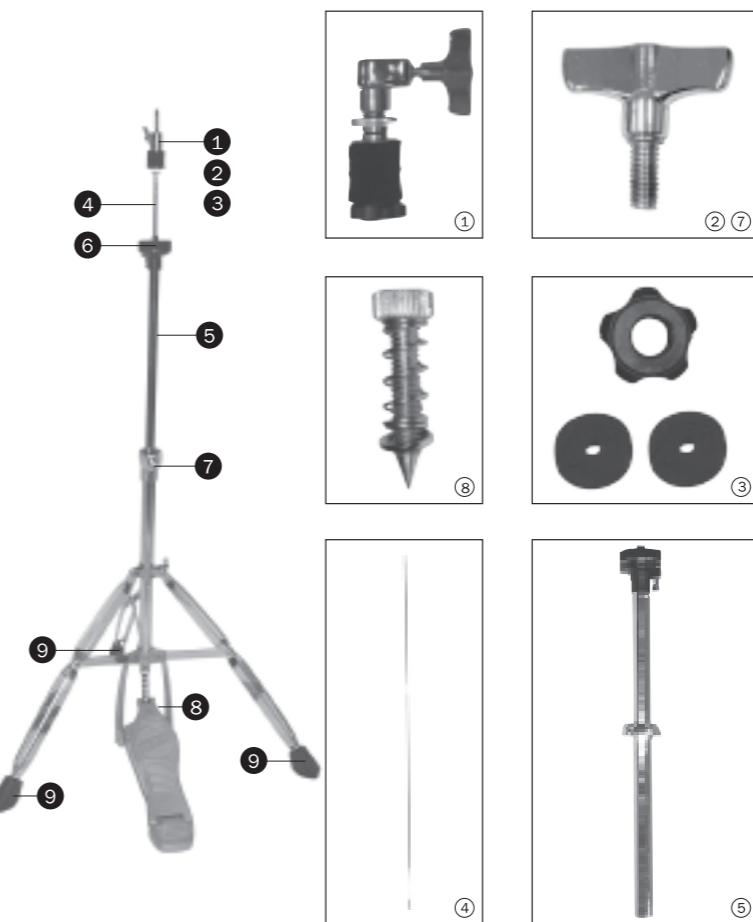




Item number	Description
① 0104-1408	14"SN Hoop, Batter Side, Chrome Plated, 8 Holes
0104-14081	14"SN Hoop, Snare Side, Chrome Plated, 8 Holes
② 0246-114CT-MP	14"SN Head, Batter Side
0246-314SS-MP	14"SN Head, Snare Side
③ LUG-0742P	Lug Assy. for Wood Shell (Type P)
④ SFM0550450H	Tension Rod, Chrome Plated (1pc)
⑤ 1900M12362A	Badge (w/Gasket and Screw)
⑥ 0612-1720A	SN Throw-off, Release Side Assy. for Wood Shell, Chrome Plated
0612-1820A	SN Throw-off, Butt Side Assy. for Wood Shell, Chrome Plated
⑦ 18323850A	14" Snare Wire Assy., Chrome Plated

◀TH630▶

Item number	Description
① 6801-024	Ball Rod
② 6600-095A	Memory Lock for Tube dia. 25.4mm (1")
③ 9550-9010A	Wing Nut / Balt Assembly



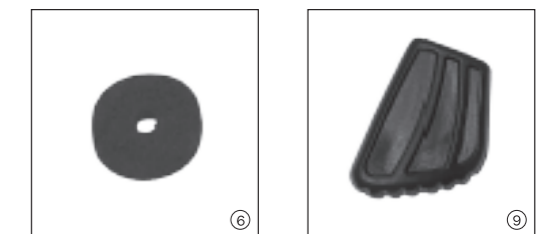
◀S300A▶

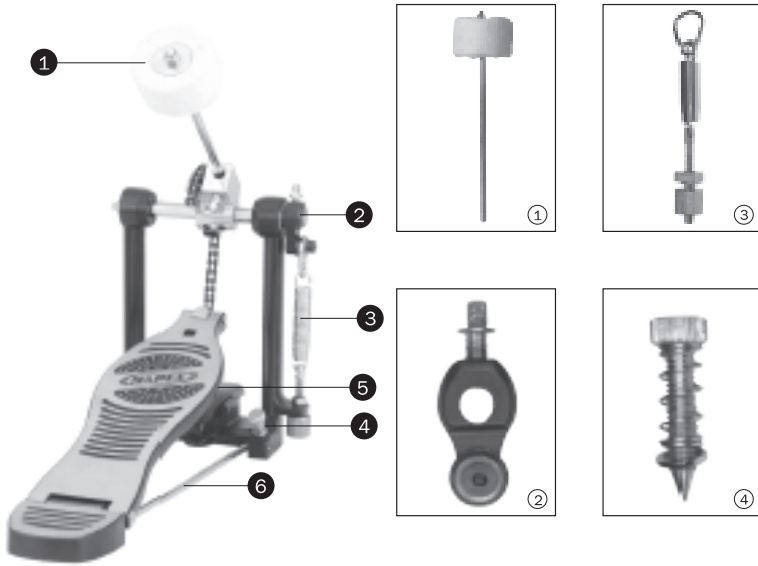
Item number	Description
① 1018-105	Rubber Sleeve(1pc)
② AZ0800170A	Wing Screw
③ AZ0600150A	Wing Screw
④ 3730-095A	Memory Lock for Tube dia. 15.9mm (0.6)
⑤ 3122-045	Rubber Foot (1pc)



◀H300A▶

Item number	Description
① 2670-346A	Clutch
② AZ0600150A	Wing Screw
③ 2004-355A	Felts (2pcs/pack)
2004-355	Felt (1pc)
2671-360	Plastic Knob
④ 2008-380	Pull Rod of Upper Tube
⑤ 2245-075X	Upper Tube
2121-320A	Cymbal Seat
⑥ 2121-330	Felt Cymbal Base
⑦ AZ0800170A	Wing Screw
⑧ 2402-205A	Anchor Screw Assy.
⑨ 3122-045	Rubber Foot (1pc)

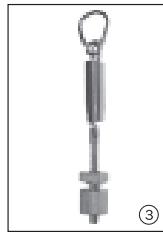




◀ P320A ▶

Item number	Description
-------------	-------------

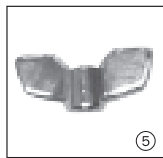
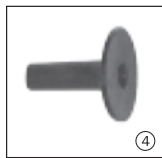
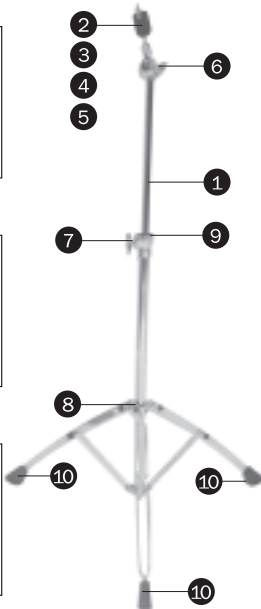
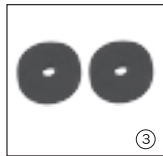
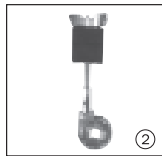
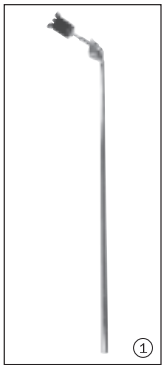
- ① 4130-525A Pedal Beater
- ② 4330-555A Connector Complete for Bearing
- ③ 4218-560A Spring Assy.
4450-567 Spring Hook
- ④ 2402-205A Anchor Screw Assy.
- ⑤ ST080020040 Wing Screw
- ⑥ 4230-245 Radius Rod Assy.



◀ C300A ▶

Item number	Description
-------------	-------------

- ① 3245-484A Upper Tube
- ② 3623-430A Tilter
- ③ 3121-355X Cmbal Felts (2pcs/pack)
3121-355 Cymbal Felt (1pc)
- ④ 3621-325 Cymbal Washer
- ⑤ NZ080020038 Wing Nut
- ⑥ 3224-3010A Wing Nut / Balt Assembly
- ⑦ AZ0800170A Wing Screw
- ⑧ AZ0600150A Wing Screw
- ⑨ 3730-095A Memory Lock for Tube dia.
15.9mm (0.6")
- ⑩ 3122-045 Rubber Foot (1pc)



◀ B300A ▶

Item number	Description
-------------	-------------

- ① 3623-484A Boom Arm
- ② 3623-430A Tilter
- ③ 3121-355X Felts (2pcs/pack)
3121-355 Felt (1pc)
- ④ 3621-325 Cymbal Washer
- ⑤ NZ080020038 Wing Nut
- ⑥ 3224-3010A Wing Nut / Balt Assembly
- ⑦ AZ0800170A Wing Screw
- ⑧ AZ0600150A Wing Screw
- ⑨ 3730-095A Memory Lock for Tube dia.
15.9mm (0.6")
- ⑩ 3122-045 Rubber Foot (1pc)

