

COMET

DRUMMER FOR LIFE



DRUMMER FOR LIFE

The **Comet Series** offers an inclusive range of complete drum kits engineered for anyone kickstarting the "Drummer For Life" journey. Configurations range from the junior kit to the rock kit all featuring SONIClear Bearing Edges for class-leading tone and no-nonsense tuning. Comet comes complete with a full complement of sturdy hardware, quality cymbals, and stylish finishes. Drumming is a lifelong adventure, get fully equipped with Comet series and get ready to become a Drummer For Life!



FEATURES

Poplar Shell

9-Ply, 7.2mm Poplar shell offers a full, warm sound.

360° Adjustment Tom Holder

The single tom holder TH6215 offers 360° adjustment, easy to get your toms set up quickly and securely.



Complete Hardware Included

The Comet Series include Cymbal Stand, Snare Stand, Hi-hat Stand, Single Pedal, and Throne.



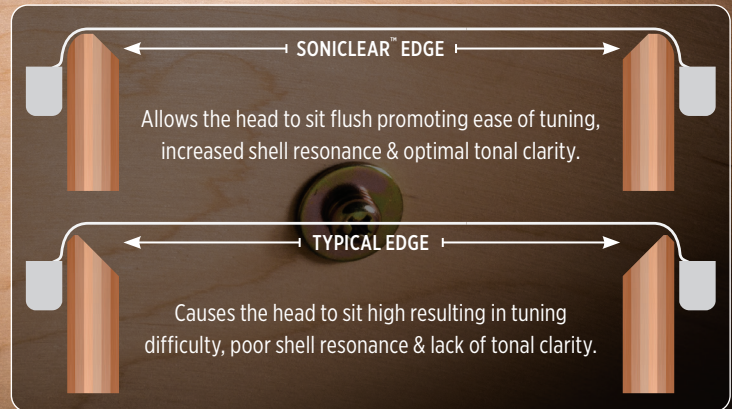
Cymbals Included

14" Hi-hat & 16" Crash, the Mapex cymbals for Comet Series offer bright and clear tone.

SONICLEAR™

BEARING EDGE

The **SONIClear™ Bearing Edge** is standard on all Mapex shells and allows the drumhead to sit flatter and make better contact with the shell. The result is a stronger and deeper fundamental pitch, effortless and consistent tuning, and a significantly expanded tuning range. For the serious player, the increased head to edge contact increases shell vibration, allowing the sonic nuances of the Hybrid shell to stand out.

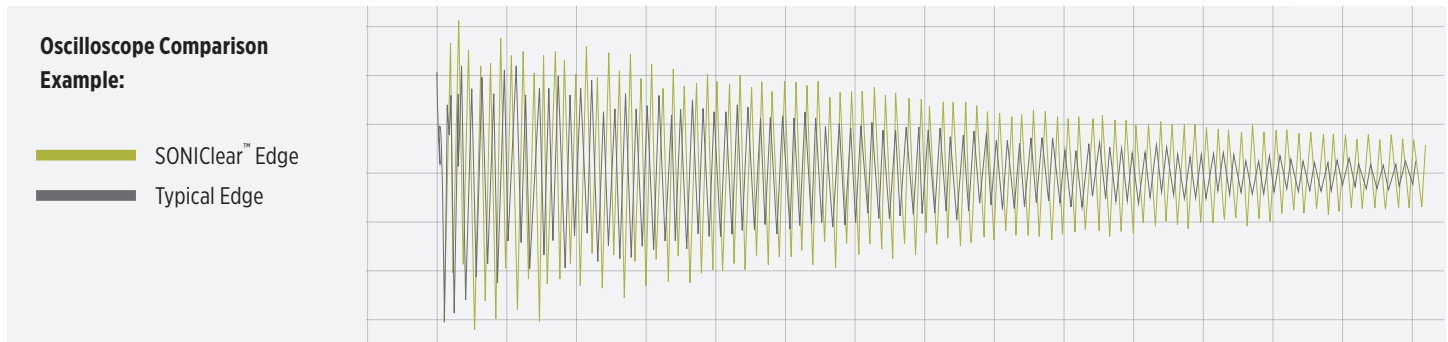


SONICLEAR™ EDGE AUDIO TEST SESSIONS

SOUND

The increased drumhead to shell contact achieved by the SONIClear™ Edge enhances shell vibration, resulting in the "biggest" sound possible from the drum.

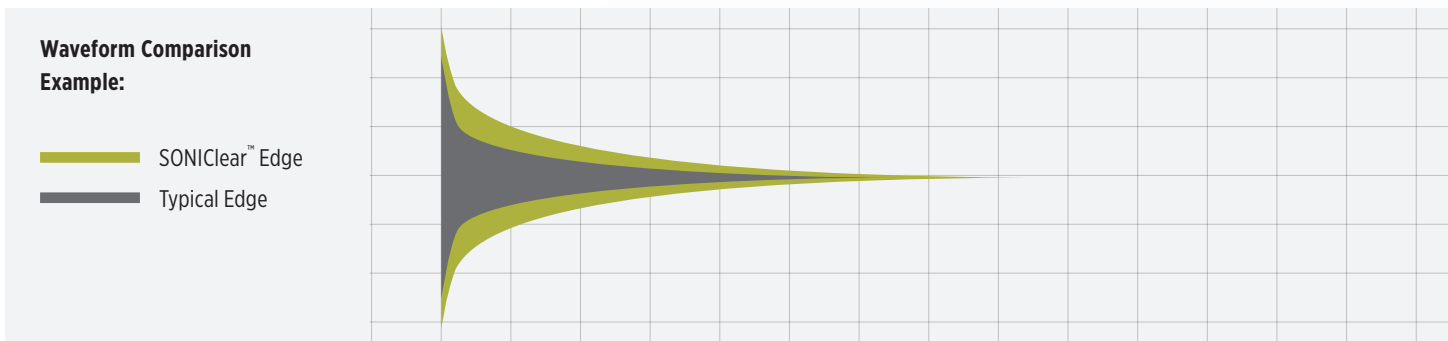
Oscilloscope Example: The green waveform is a recording of a drum with the SONIClear™ edge. The dark grey waveform is a drum with a typical edge. Tuned to the same pitch and recorded identically, it's clear that the drum with the SONIClear™ Edge produces a much larger waveform from the initial strike through the full sustain of the note.



SUSTAIN

Because the drumhead sits flat on the SONIClear™ Edge, the tension applied during tuning is more balanced and stress-free. This allows the drumhead to vibrate freely and fully.

Waveform Comparison Example: The green waveform is a recording of a drum with the SONIClear™ edge. The dark grey waveform is a drum with a typical edge. The size of the SONIClear™ waveform indicates a lower and stronger fundamental pitch while the length indicates a longer sustain compared to a typical edge.

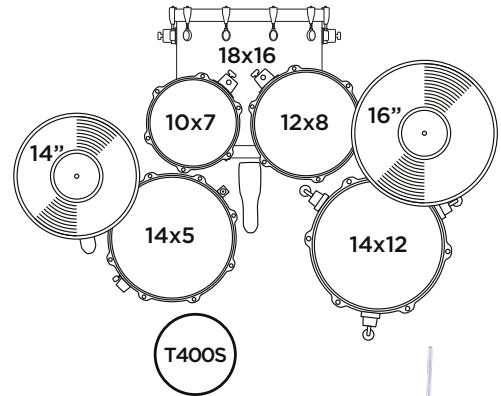


CONFIGURATIONS

5-Piece Junior Drum Set

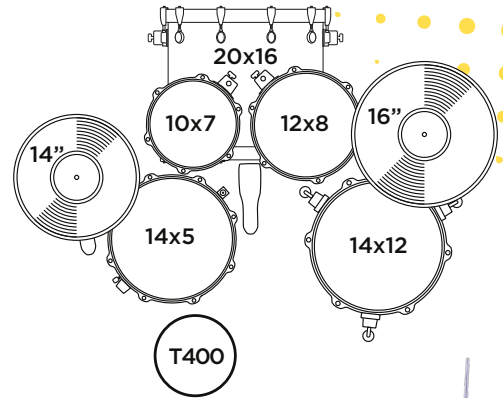
CM5844FTC

*With S250S Snare stand & T400S Throne



5-Piece Fusion Drum Set

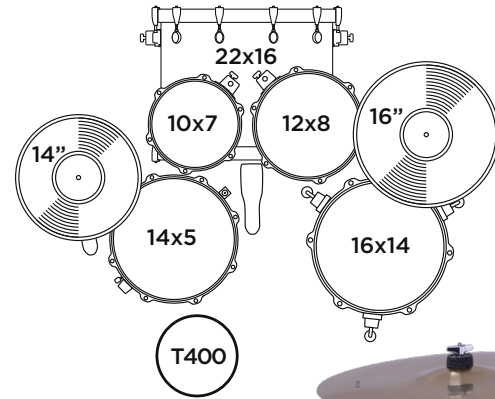
CM5044FTC



CONFIGURATIONS

5-Piece Rock Drum Set

CM5294FTC





INFRA RED





INDIGO BLUE





DARK BLACK





WWW.MAPEXDRUMS.COM