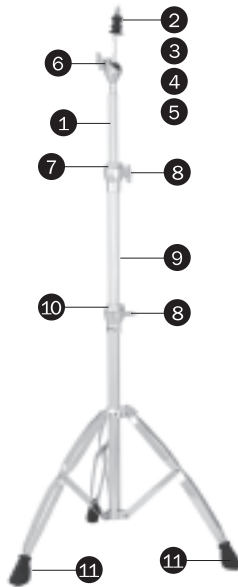


◀ C950A / C950 ▶

Item number | Description

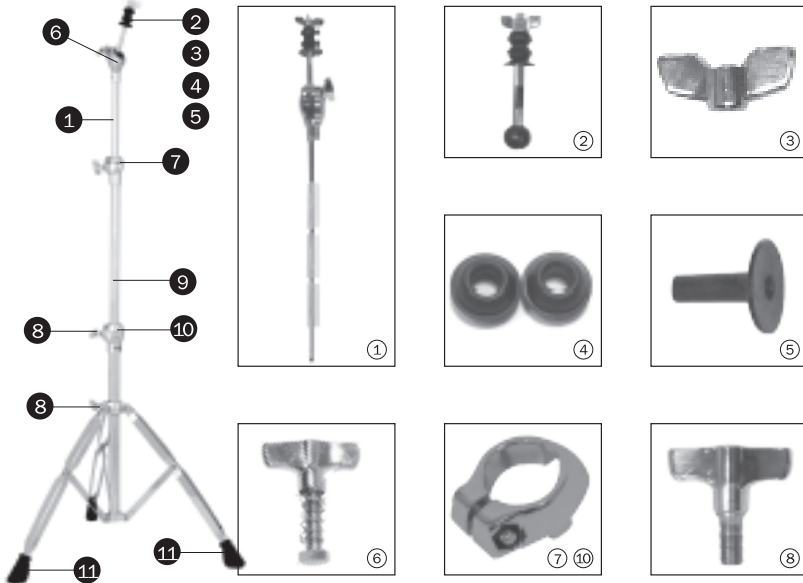
- ① 3485-484A Upper Tube for C950A
- 3480-484A Upper Tube for C950
- ② 3680-440A Tilter Assy.
- ③ NZ080020038 Wing Nut
- ④ 3480-355A O/S Cymbal Accentuator (2pcs/pack)
- 3480-355 O/S Cymbal Accentuator(1pc)
- ⑤ 3621-325 Cymbal Washer
- ⑥ 3480-3010A Wing Nut / Balt Assembly
- ⑦ 6700-095A Memory Lock for Tube dia. 22.2mm (0.9")
- ⑧ AZ0800170A Wing Screw
- ⑨ 2215-075 Center Tube
- ⑩ 6600-095A Memory Lock for Tube dia. 25"mm (1")
- ⑪ 1680-045 Rubber Foot (1pc)



◀ C750A ▶

Item number | Description

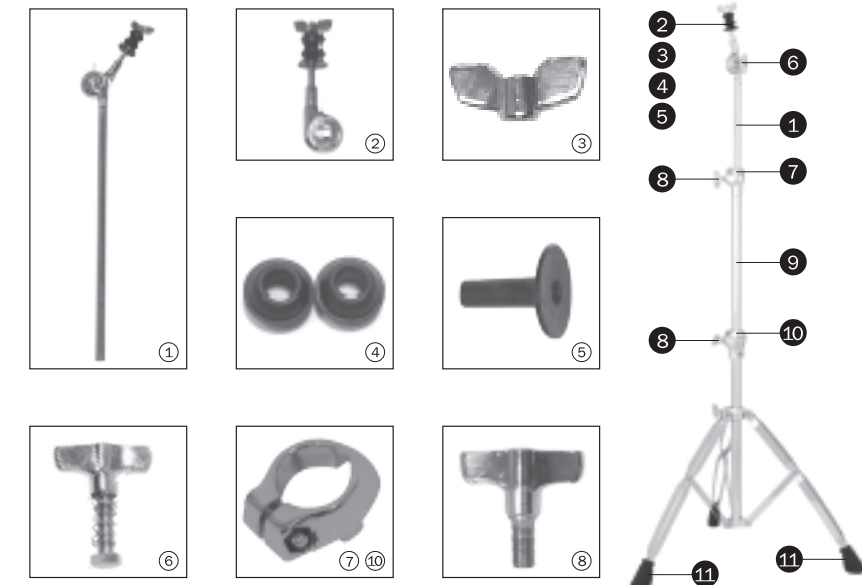
- ① 3475-484A Upper Tube
- ② 3680-440A Tilter Assy.
- ③ NZ080020038 Wing Nut
- ④ 3480-355A O/S Cymbal Accentuator (2pcs/pack)
- 3480-355 O/S Cymbal Accentuator(1pc)
- ⑤ 3621-325 Cymbal Washer
- ⑥ 3480-3010A Win Nut/Balt Assembly
- ⑦ 3730-095A Memory Lock for Tube dia. 15.9mm (0.6")
- ⑧ AZ0800170A Wing Screw
- ⑨ 3650-075 Center Tube
- ⑩ 6700-095A Memory Lock for Tube 22.2mm (0.9")
- ⑪ 1224-045 Rubber Foot (1pc)

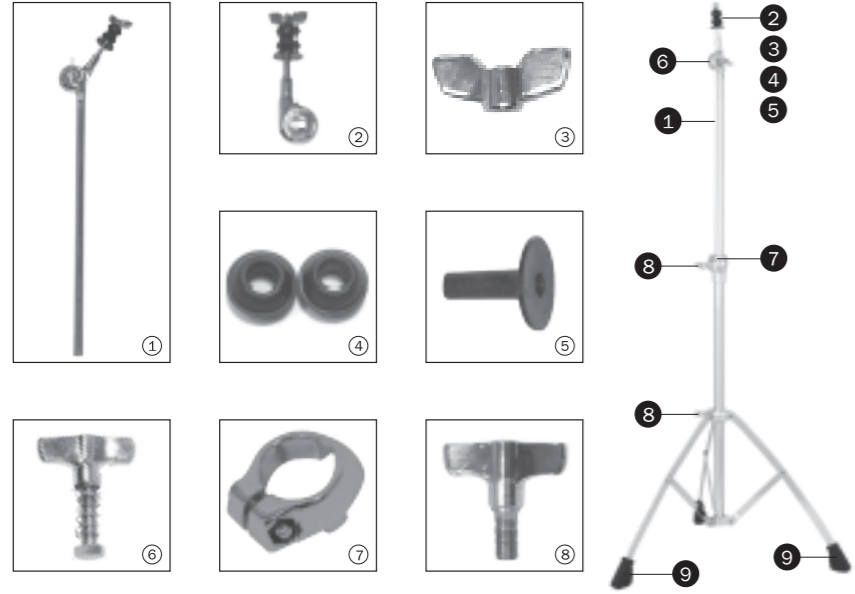


◀ C550A / C550 ▶

Item number | Description

- ① 3365-484A Upper Tube for C550A
- 3224-484A Upper Tube for C550
- ② 3402-430A Tilter
- ③ NZ080020038 Wing Nut
- ④ 3480-355A O/S Cymbal Accentuator (2pcs/pack)
- 3480-355 O/S Cymbal Accentuator(1pc)
- ⑤ 3621-325 Cymbal Washer
- ⑥ 3224-3010A Wing Nut / Balt Assembly
- ⑦ 3730-095A Memory Lock for Tube dia. 15.9mm (0.6") for C550A
- ⑧ AZ0800170A Wing Screw
- ⑨ 3650-075 Center Tube
- ⑩ 6700-095A Memory Lock for Tube dia. 22.2mm (0.9")
- ⑪ 1224-045 Rubber Foot (1pc)





◀ C350A / C350 ▶

Item number	Description
① 3335-484A	Boom Arm for C350A
3224-484A	Boom Arm for C350
② 3630-430A	Tilter Assy.
③ NZ080020038	Wing Nut
④ 3480-355A	O/S Cymbal Accentuator (2pcs/pack)
3480-355	O/S Cymbal Accentuator(1pc)
⑤ 3621-325	Cymbal Washer
⑥ 3224-3010A	Wing Nut / Balt Assembly
⑦ 3480-095A	Memory Lock for Tube dia. 19.1mm (0.8") for C350A
⑧ AZ0800170A	Wing Screw
⑨ 1123-045	Rubber Foot (1pc)



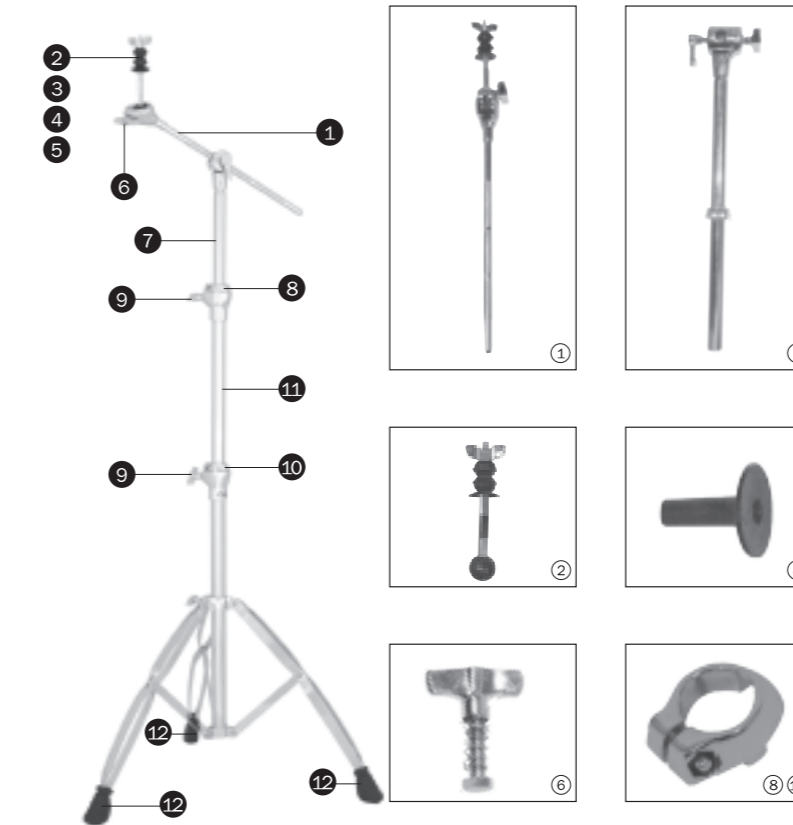
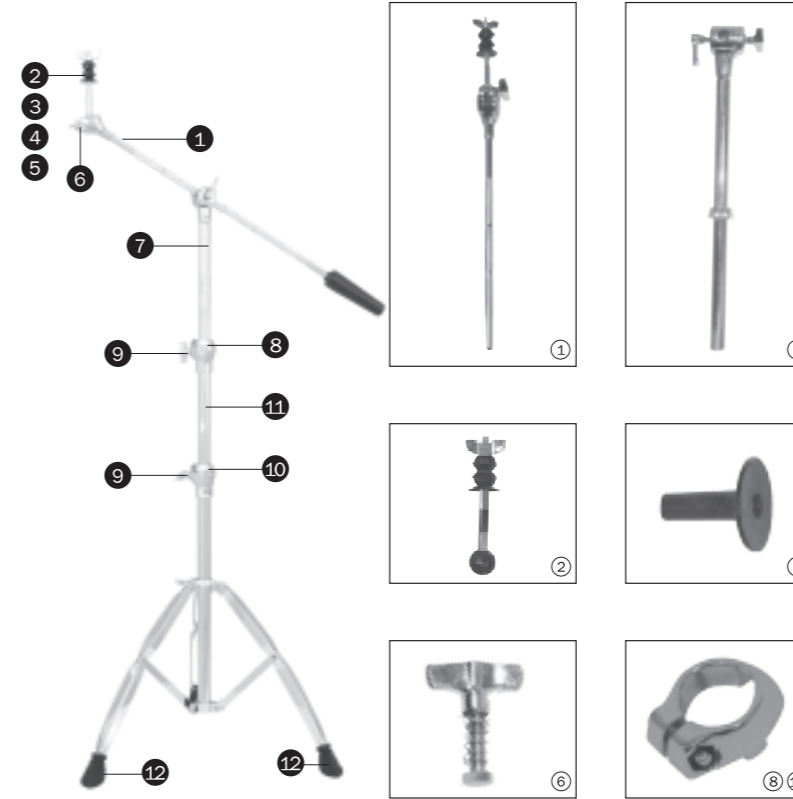
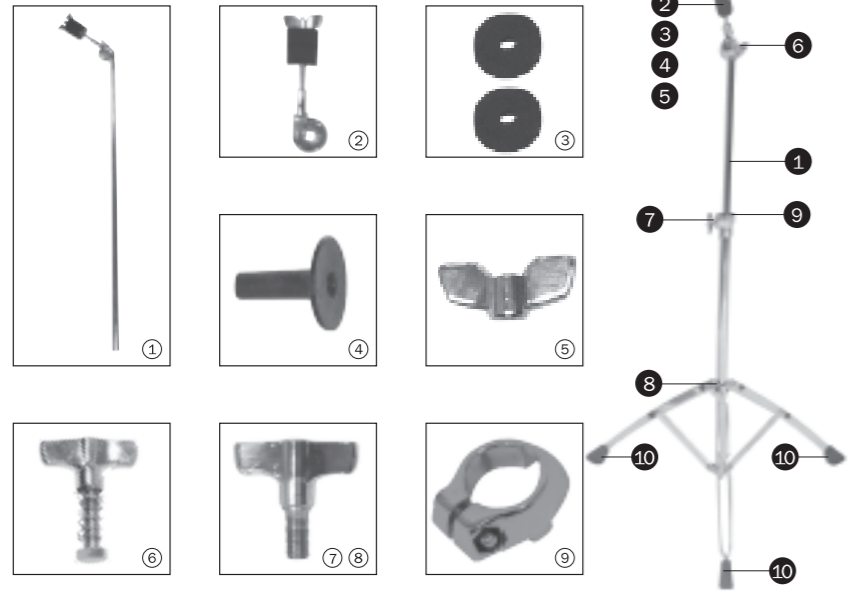
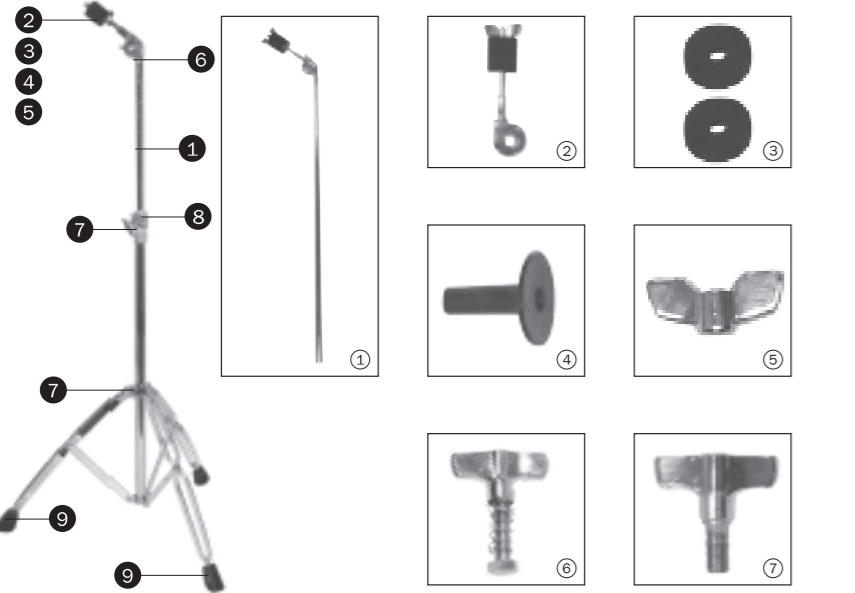
◀ C320A / C320 ▶

Item number	Description
① 3255-484A	Upper Tube
② 3623-430A	Tilter
③ 3121-355X	Cmbal Felts (2pcs/pack)
3121-355	Cymbal Felt (1pc)
④ 3621-325	Cymbal Washer
⑤ NZ080020038	Wing nut
⑥ 3224-3010A	Wing Nut / Balt Assembly
⑦ AZ0800170A	Wing Screw
⑧ 3480-095A	Memory Lock for Tube dia. 19.1mm (0.8") for C320A
⑨ 3122-045	Rubber Foot (1pc only)



◀ C300A / C300 ▶

Item number	Description
① 3245-484A	Upper Tube
② 3623-430A	Tilter
③ 3121-355X	Cmbal Felts (2pcs/pack)
3121-355	Cymbal Felt (1pc)
④ 3621-325	Cymbal Washer
⑤ NZ080020038	Wing Nut
⑥ 3224-3010A	Wing Nut / Balt Assembly
⑦ AZ0800170A	Wing Screw
⑧ AZ0600150A	Wing Screw
⑨ 3730-095A	Memory Lock for Tube dia. 15.9mm (0.6") for C300A
⑩ 3122-045	Rubber Foot (1pc)



◀ B960A / B980 ▶

Item number	Description
① 3880-484A	Boom Arm
② 3680-440A	Tilter Assy.
③ NZ080020038	Wing Nut
④ 3480-355A	O/S Cymbal Accentuator (2 pcs/Pack)
3480-355	O/S Cymbal Accentuator (1pc)
⑤ 3621-325	Cymbal Washer
⑥ 3480-3010A	Wing Nut / Balt Assembly
⑦ 3680-425A	Upper Tube
⑧ 6700-095A	Memory Lockfor Tube dia 22.2mm(0.9")
⑨ AZ0800170A	Wing Screw
⑩ 6600-095A	Memory Lockfor Tube dia 25.4mm(1")
⑪ 2215-075	Cernter Tube
⑫ 1680-045	Rubber Foot (1pc)



◀ B950A / B950 ▶

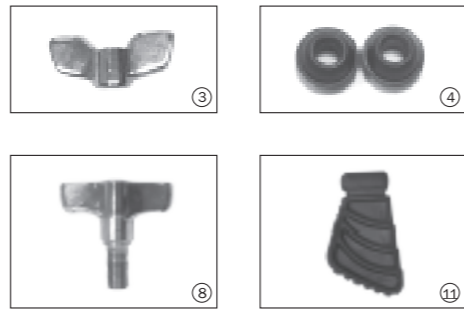
Item number	Description
① 3680-484A	Boom Arm
② 3680-440A	Tilter Assy.
③ 3480-355A	O/S Cymbal Accentuator (2pcs/Pack)
3480-355	O/S Cymbal Accentuator (1pc)
④ 3621-325	Cymbal Washer
⑤ NZ080020038	Wing Nut
⑥ 3480-3010A	Wing Nut/Balt Assembly
⑦ 3680-425A	Upper Tube
⑧ 6700-095A	Memory Lock for Tube dia 22.2mm(0.9")
⑨ AZ0800170A	Wing Screw
⑩ 6600-095A	Memory Lock for Tube dia 25.4mm(1")
⑪ 2215-075	Center Tube
⑫ 1680-045	Rubber Foot (1pc)





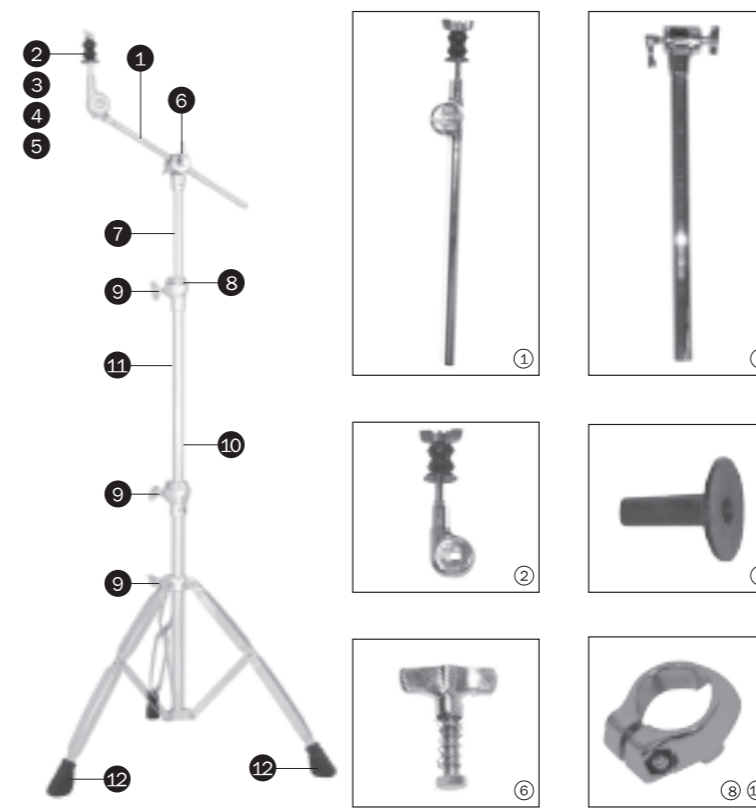
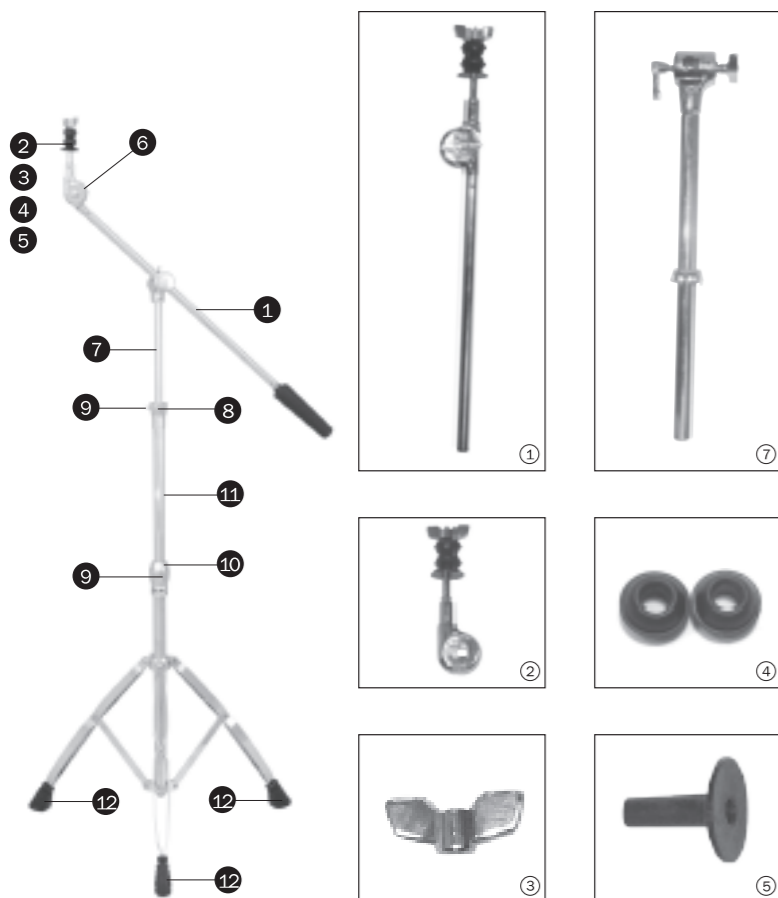
◀ B750A / B750 ▶

Item number	Description
① 3680-484A	Boom Arm
② 3680-440A	Tilter Assy.
③ NZ080020038	Wing Nut
④ 3480-355A	O/S Cymbal Accentuator (2pcs/pack)
3480-355	O/S Cymbal Accentuator(1pc)
⑤ 3621-325	Cymbal Washer
⑥ 3480-3010A	Win Nut/Balt Assembly
⑦ 3730-095A	Memory Lock for Tube dia. 15.9mm (0.6")
⑧ AZ0800170A	Wing Screw
⑨ 3650-075	Center Tube
⑩ 6700-095A	Memory Lock for Tube 22.2mm (0.9")
⑪ 1224-045	Rubber Foot (1pc) for B750A
2680-045	Rubber Foot for B750
⑫ 3665-425A	Upper Tube for B750A
3680-425A	Upper Tube for B750



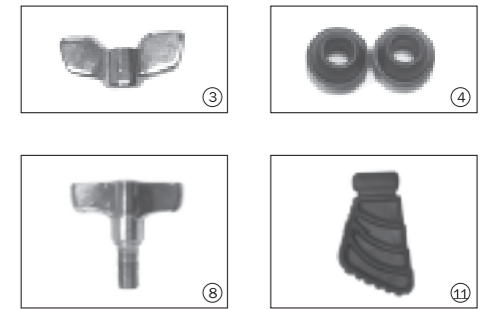
◀ B560A / B560 ▶

Item number	Description
① 3850-484A	Boom Arm
② 3402-430A	Tilter Assy.
③ NZ080020038	Wing Nut
④ 3480-355A	O/S Cymbal Accentuator(2pcs/pack)
3480-355	O/S Cymbal Accentuator(1pc)
⑤ 3621-325	Cymbal Washer
⑥ 3224-3010A	Wing Nut / Balt Assembly
⑦ 3855-425A	Upper Tube Assy. for B560A
3624-425A	Upper Tube Assy. for B560
⑧ 3730-095A	Memory Lock for Tube dia. 15.9mm (0.6") for B560A
⑨ AZ0800170A	Wing Screw
⑩ 6700-095A	Memory Lock for Tube dia 22.2mm(0.9")
⑪ 3650-075	Center Tube
⑫ 1224-045	Rubber Foot (1pc)



◀ B550A / B550 ▶

Item number	Description
① 3665-484A	Boom Arm for B550A
3650-484A	Boom Arm for B550
② 3402-430A	Tilter
③ NZ080020038	Wing Nut
④ 3480-355A	O/S Cymbal Accentuator (2pcs/pack)
3480-355	O/S Cymbal Accentuator(1pc)
⑤ 3621-325	Cymbal Washer
⑥ 3224-3010A	Wing Nut / Balt Assembly
⑦ 3665-425A	Upper Tube for B550A
3624-425A	Upper Tube for B550
⑧ 6700-095A	Memory Lock for Tube dia. 22.2mm(0.9")
⑨ AZ0800170A	Wing Screw
⑩ 3730-095A	Memory Lock for Tube dia. 25.4mm (1") for B550A
⑪ 3650-075	Center Tube
⑫ 1224-045	Rubber Foot (1pc)



◀ B350A / B350 ▶

Item number	Description
① 3335-484A	Boom Arm
② 3630-430A	Tilter Assy.
③ NZ080020038	Wing Screw
④ 3480-355A	O/S Cymbal Accentuator (2pcs/pack)
3480-355	O/S Cymbal Accentuator(1pc)
⑤ 3621-325	Cymbal Washer
⑥ 3224-3010A	Wing Nut / Balt Assembly
⑦ 3535-075A	Upper Tube Complete
3618-075	Upper Tube
⑧ 3480-095A	Memory Lock for Tube dia. 19.1mm (0.8") for B350A
⑨ AZ0800170A	Wing Screw
⑩ 1123-045	Rubber Foot (1pc)



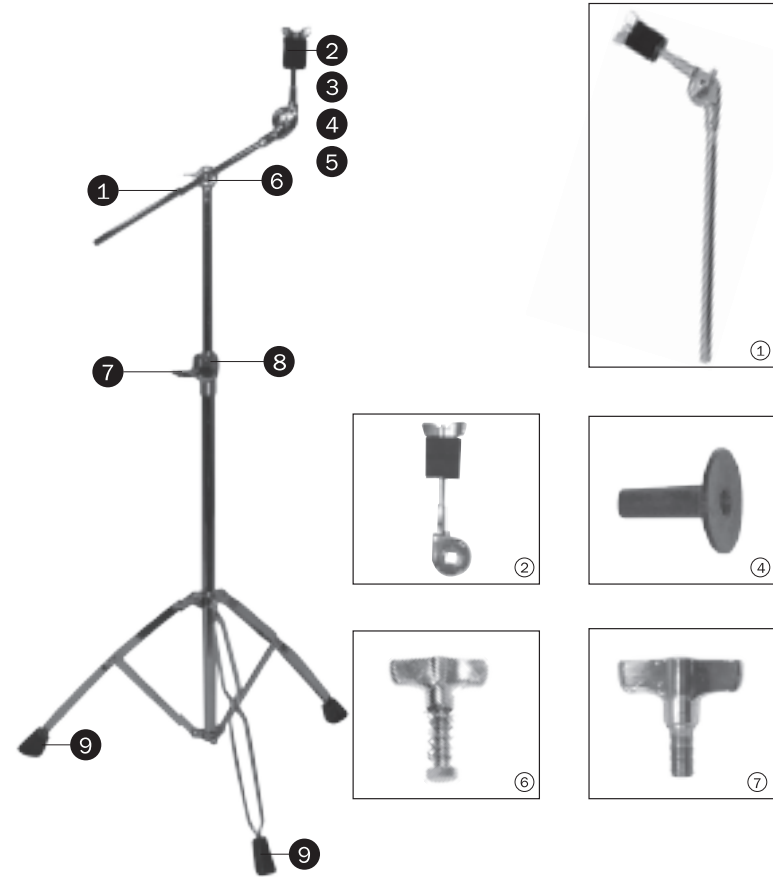
Hardware

Boom Cymbal Stands

Hardware

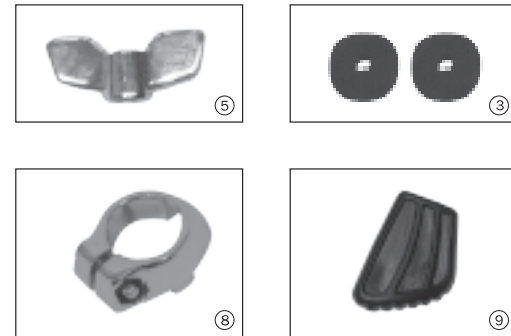
Multi-Use Stands

Hardware Boom Cymbal Stands



◀ B320A / B320 ▶

Item number	Description
① 3623-484A	Boom Arm
② 3623-430A	Tilter
③ 3121-355X	Cymbal Felts(2pcs/pack)
3121-355	Cymbal Felt (1pc)
④ 3621-325	Cymbal Washer
⑤ NZ080020038	Wing Nut
⑥ 3224-3010A	Wing Nut / Balt Assembly
⑦ AZ0800170A	Wing Screw
⑧ 3480-095A	Memory Lock for Tube dia. 19.1mm (0.8")
⑨ 3122-045	Rubber Foot (1pc)

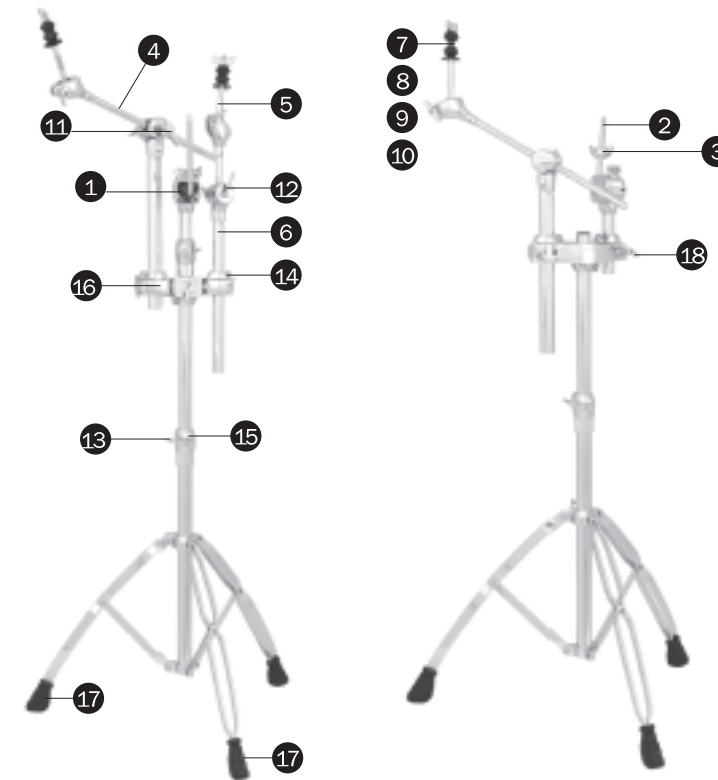


◀ B300A / B300 ▶

Item number	Description
① 3623-484A	Boom Arm
② 3623-430A	Tilter
③ 3121-355X	Felts (2pcs/pack)
3121-355	Felt (1pc)
④ 3621-325	Cymbal Washer
⑤ NZ080020038	Wing Nut
⑥ 3224-3010A	Wing Nut / Balt Assembly
⑦ AZ0800170A	Wing Screw for B300A
ST080020040	Wing Screw for B300
⑧ AZ0600150A	Wing Screw for B300A
ST060012035	Wing Screw for B300
⑨ 3730-095A	Memory Lock for Tube dia. 15.9mm (0.6") for B300A
⑩ 3122-045	Rubber Foot (1pc)



Hardware Multi-Use Stands



◀ TS965A / TS965 ▶

◀ TS960A / TS960 ▶

Item number	Description
① TH684	Tom Arm
② 6801-024A	Ball Rod
③ 6750-645A	Stop Lock
④ B75	Boom Cymbal Arm
⑤ 3680-484A	Boom Arm
⑥ 3680-425A	Upper Tube
⑦ 3680-440A	Tilter Assy.
⑧ NZ080020038	Wing Nut
⑨ 3480-355A	O/S Cymbal Accentuator (2pcs/pack)
3480-355	O/S Cymbal Accentuator (1pc)
⑩ 3621-325	Cymbal Washer
⑪ 1224-938A	Pro-Lok Lever
⑫ 3480-3010A	Wing Nut / Balt Assy.
⑬ AZ0800170A	Wing Screw
⑭ 6700-095A	Memory Lock for Tube dia. 22.2mm (0.9")
⑮ 6600-095A	Memory Lock for Tube dia. 25.4mm (1")
⑯ AC908	Multi-Use Mount Assy.
⑰ 1680-045	Rubber Foot (1pc)
⑱ 0908-6010A	Wing Screw

